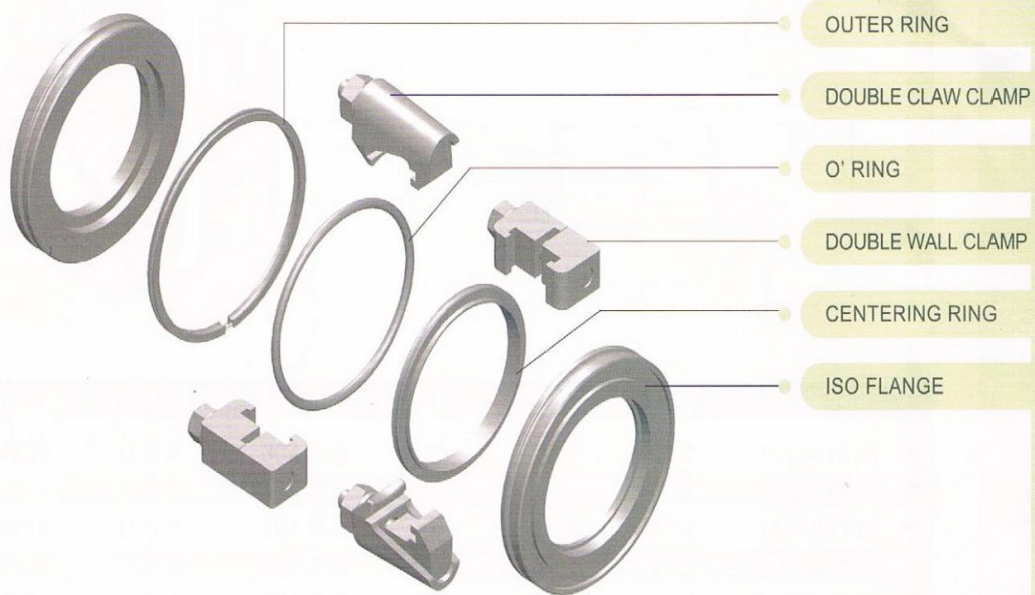


Connections of ISO-series Fittings



General Information



Features

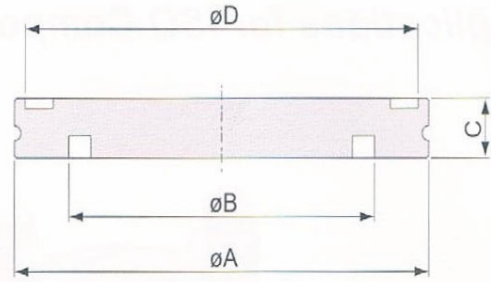
- The components of ISO universal flange system are defined by the International Standards Organization (ISO).
- The construction of ISO flange series includes two smooth-faced sexless flanges clamped together with a combination metal centering ring and elastomeric O-ring between them.
- ISO components are reusable and changeable with other ISO dimension components of the same size.

Specifications

- Blanks & Flanges : 304 S.S. (Other material available upon request)
- Retainer Rings : 304 S.S. (Other material available upon request)
- Centering Rings : 304 S.S. (Other material available upon request)
- Outer Rings : Aluminum
- Clamps : Aluminum, Stainless steel, Steel plated
- Fastening torque : 1~1.4kg-m
- O'ring material : Viton or NBR
- Temperature Range : 150°C (Viton) 80°C (NBR)
- Vacuum Rate : 10^{-8} torr

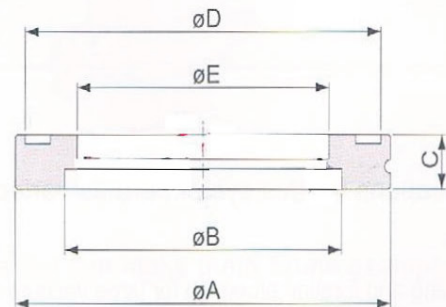
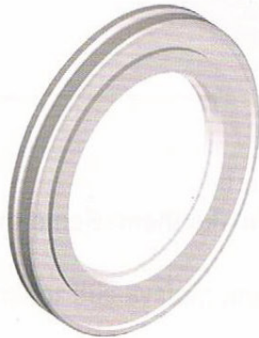
Larger or special size available upon request

Blank



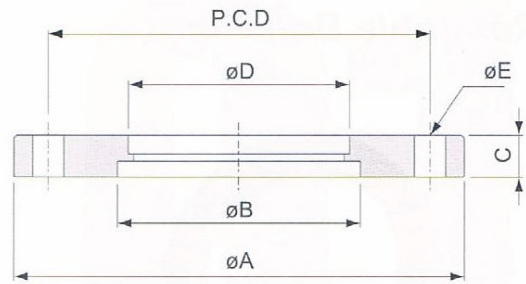
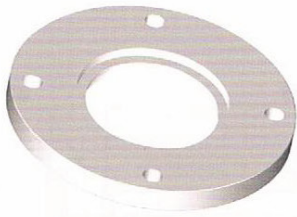
Model No.	Material	A	B	C	D
ISO63B	304 S.S.	95	70	12	90
ISO80B	304 S.S.	110	83	12	105
ISO100B	304 S.S.	130	102	12	125
ISO160B	304 S.S.	180	153	12	175
ISO200B	304 S.S.	240	213	12	235
ISO250B	304 S.S.	290	261	12	285
ISO320B	304 S.S.	370	318	17	365
ISO400B	304 S.S.	450	400	17	445
ISO500B	304 S.S.	550	501	17	545

Bored Blank



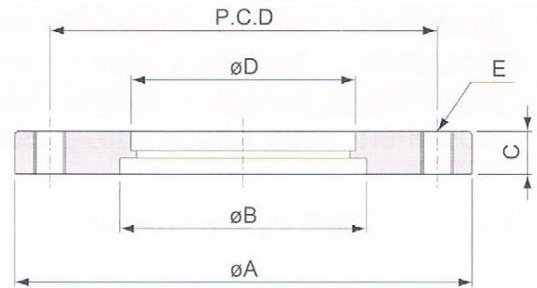
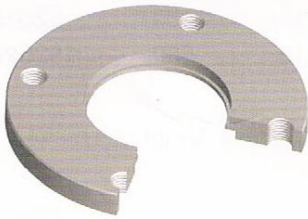
Model No.	Material	A	B	C	D	E
ISO63B63	304 S.S.	95	70	12	90	63.7
ISO80B76	304 S.S.	110	83	12	105	76.4
ISO100B102	304 S.S.	130	102	12	125	101.8
ISO160B153	304 S.S.	180	153	12	175	152.9
ISO200B204	304 S.S.	240	213	12	235	203.7
ISO250B255	304 S.S.	290	261	12	285	254.5
ISO320B305	304 S.S.	370	318	17	365	305.3
ISO400B407	304 S.S.	450	400	17	445	406.9
ISO500B509	304 S.S.	550	501	17	545	508.8

Bolted Flange



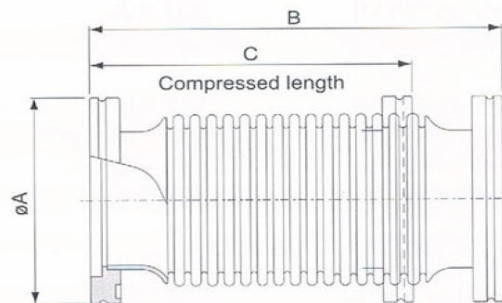
Model No.	Material	A	B	C	D	E	*No	P.C.D
ISO63BF	304 S.S.	130	70	12	63.7	9*4		110
ISO80BF	304 S.S.	145	83	12	76.4	9*8		125
ISO100BF	304 S.S.	165	102	12	101.8	9*8		145
ISO160BF	304 S.S.	225	153	16	152.9	11*8		200
ISO200BF	304 S.S.	285	213	16	203.7	11*12		260
ISO250BF	304 S.S.	335	261	16	254.5	11*12		310
ISO320BF	304 S.S.	425	318	20	305.3	14*12		395
ISO400BF	304 S.S.	510	400	20	406.9	14*16		480
ISO500BF	304 S.S.	610	501	20	508.8	14*16		580

Bolted Flange-Tapped



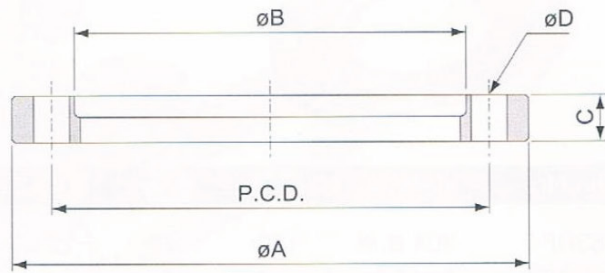
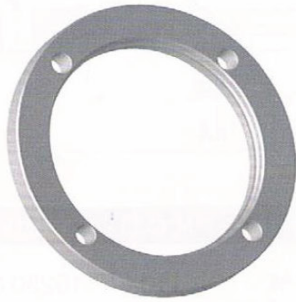
Model No.	Material	A	B	C	D	E	*No	P.C.D
ISO63BFTAP	304 S.S.	130	70	12	63.7	M8*4		110
ISO80BFTAP	304 S.S.	145	83	12	76.4	M8*8		125
ISO100BFTAP	304 S.S.	165	102	12	101.8	M8*8		145
ISO160BFTAP	304 S.S.	225	153	16	152.9	M10*8		200
ISO200BFTAP	304 S.S.	285	213	16	203.7	M10*12		260
ISO250BFTAP	304 S.S.	335	261	16	254.5	M10*12		310
ISO320BFTAP	304 S.S.	425	318	20	305.3	M12*12		395
ISO400BFTAP	304 S.S.	510	400	20	406.9	M12*16		480
ISO500BFTAP	304 S.S.	610	501	20	508.8	M12*16		580

ISO Compressible Bellows Connections



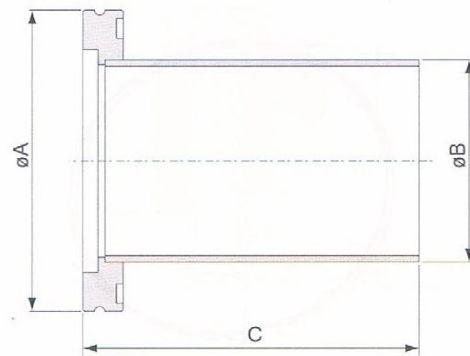
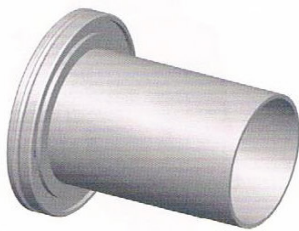
Model No.	Material	A	B	C
Excluding Bellows				
ISO63FXC140	304 S.S.	95	140	125
ISO80FXC187	304 S.S.	110	187	160
ISO100FXC187	304 S.S.	130	187	160

Rotatable Bolt Ring



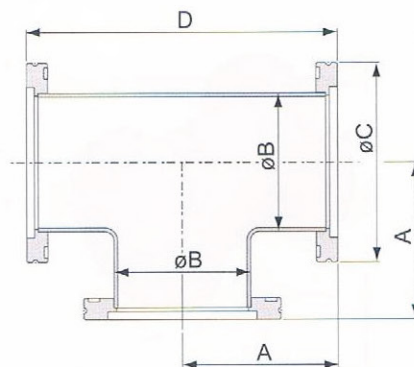
Model No.	Material	A	B	C	D * No	P.C.D
ISO63RBR	304 S.S.	130	98.5	12	9*4	110
ISO80RBR	304 S.S.	145	113.5	12	9*8	125
ISO100RBR	304 S.S.	165	133.5	12	9*8	145
ISO160RBR	304 S.S.	225	185.7	16	11*8	200
ISO200RBR	304 S.S.	285	245.7	16	11*12	260
ISO250RBR	304 S.S.	335	295.7	16	11*12	310
ISO320RBR	304 S.S.	425	375.8	20	14*12	395
ISO400RBR	304 S.S.	510	458.8	20	14*16	480
ISO500RBR	304 S.S.	610	558.8	20	14*16	580

Half Nipple



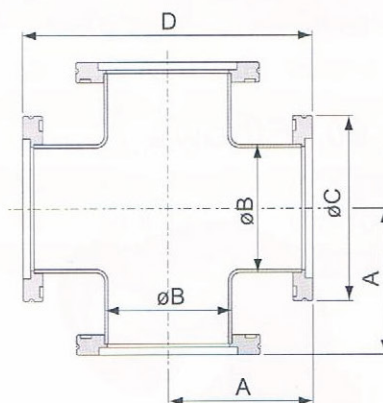
Model No.	Material	A	B	C
ISO63HN	304 S.S.	95	63.5	100
ISO80HN	304 S.S.	110	76.2	100
ISO100HN	304 S.S.	130	101.6	100
ISO160HN	304 S.S.	180	152.4	100
ISO200HN	304 S.S.	240	203.2	100
ISO250HN	304 S.S.	290	254	100
ISO320HN	304 S.S.	370	304.8	100
ISO400HN	304 S.S.	450	406.8	100
ISO500HN	304 S.S.	550	508	100

ISO Tees



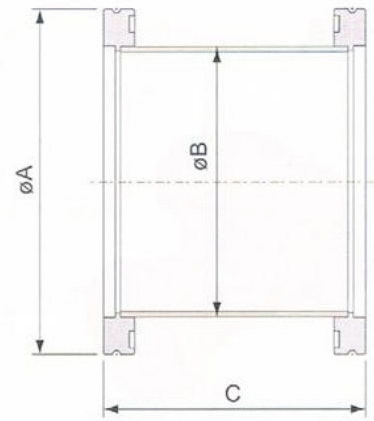
Model No.	Material	A	B	C	D
ISO63TA	304 S.S.	82.8	63.5	95	165.6
ISO80TA	304 S.S.	89.15	76.2	110	178.3
ISO100TA	304 S.S.	105	101.6	130	210
ISO160TA	304 S.S.	133.6	152.4	180	267.2

ISO 4-Way Crosses



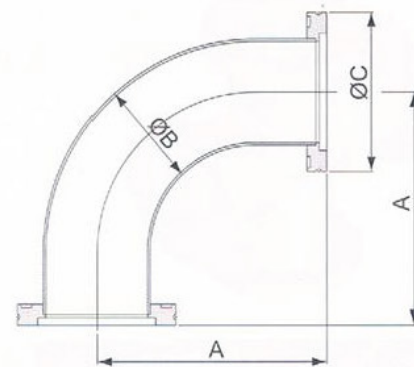
Model No.	Material	A	B	C	D
ISO63XA	304 S.S.	82.8	63.5	95	165.6
ISO80XA	304 S.S.	89.15	76.2	110	178.3
ISO100XA	304 S.S.	105	101.6	130	210
ISO160XA	304 S.S.	133.6	152.4	180	267.2

ISO Full Nipples



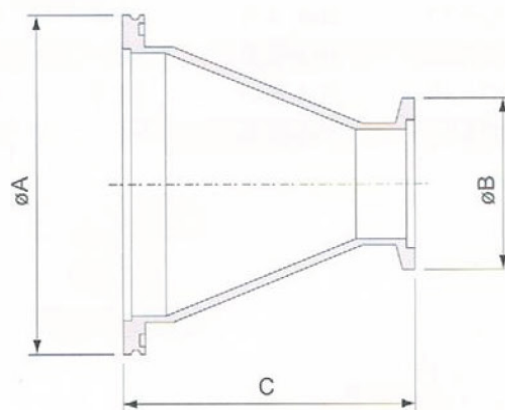
Model No.	Material	A	B	C
ISO63N	304 S.S.	95	63.5	100
ISO80N	304 S.S.	110	76.2	100
ISO100N	304 S.S.	130	101.6	100
ISO160N	304 S.S.	180	152.4	100
ISO200N	304 S.S.	240	203.2	100
ISO250N	304 S.S.	290	254	100
ISO320N	304 S.S.	370	304.8	200
ISO400N	304 S.S.	450	406.4	200
ISO500N	304 S.S.	550	508	200

ISO 90° Elbows



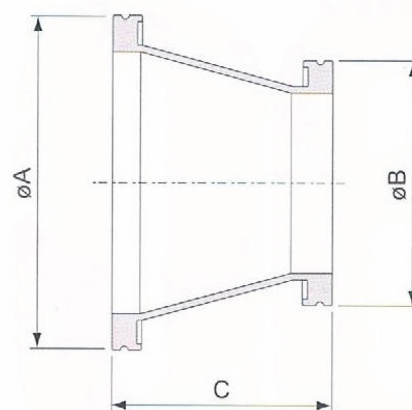
Model No.	Material	A	B	C
ISO63EL90A	304 S.S.	138.4	63.5	95
ISO80EL90A	304 S.S.	166.9	76.2	110
ISO100EL90A	304 S.S.	217.7	101.6	130
ISO160EL90A	304 S.S.	235.2	152.4	180

ISO-KF Conical Reducing Adaptor



Model No.	Material	A	B	C
ISO80KRA40	304 S.S.	110	55	63
ISO100KRA40	304 S.S.	130	55	63
ISO80KRA50	304 S.S.	110	75	63
ISO100KRA50	304 S.S.	130	75	63

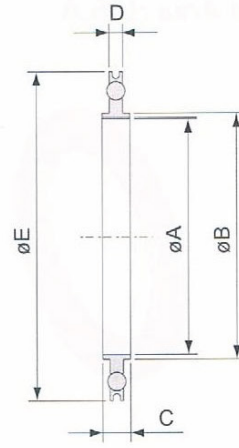
ISO-ISO Conical Reducing Adaptor



Model No.	Material	A	B	C
ISO80RA63	304 S.S.	110	95	63
ISO100RA63	304 S.S.	130	95	63
ISO100RA80	304 S.S.	130	110	63
ISO160RA63	304 S.S.	180	95	63

ISO Outer Ring Centering Ring, O'Ring

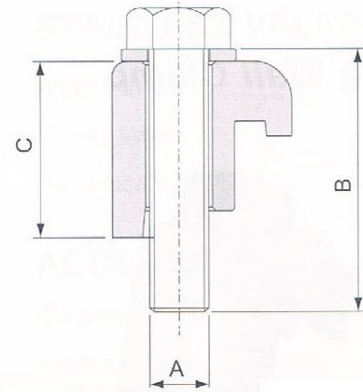
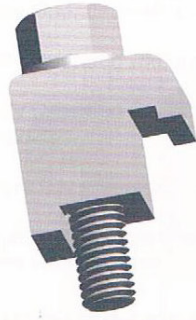
Available Area :U.S.A



Model No.	Material		O'Ring	O'Ring	A	B	C	D	E
	O/R	C/R							
ISO630CRVSA	Al	304 S.S.	Viton	AS-337	67	69.5	8	3.9	94
ISO800CRVSA	Al	304 S.S.	Viton	AS-341	80	82.6	8	3.9	109
ISO1000CRVSA	Al	304 S.S.	Viton	AS-347	100	101.6	8	3.9	128
ISO1600CRVSA	Al	304 S.S.	Viton	AS-362	150	152.6	8	3.9	179
ISO2000CRVSA	Al	304 S.S.	Viton	AS-371	210	212.6	8	3.9	238
ISO2500CRVSA	Al	304 S.S.	Viton	AS-378	257.5	260.4	8	3.9	287
ISO3200CRVSA	Al	304 S.S.	Viton	AS-454	312	317.3	12	5.6	344
ISO4000CRVSA	Al	304 S.S.	Viton	AS-461	394	399.2	12	5.6	446
ISO5000CRVSA	Al	304 S.S.	Viton	AS-469	494	500.2	12	5.6	535
ISO630CRVAA	Al	Al	Viton	AS-337	67	69.5	8	3.9	94
ISO800CRVAA	Al	Al	Viton	AS-341	80	82.6	8	3.9	109
ISO1000CRVAA	Al	Al	Viton	AS-347	100	101.6	8	3.9	128
ISO1600CRVAA	Al	Al	Viton	AS-362	150	152.6	8	3.9	179
ISO2000CRVAA	Al	Al	Viton	AS-371	210	212.6	8	3.9	238
ISO2500CRVAA	Al	Al	Viton	AS-378	257.5	260.4	8	3.9	287
ISO3200CRVAA	Al	Al	Viton	AS-454	312	317.3	12	5.6	344
ISO4000CRVAA	Al	Al	Viton	AS-461	394	399.2	12	5.6	446
ISO5000CRVAA	Al	Al	Viton	AS-469	494	500.2	12	5.6	535

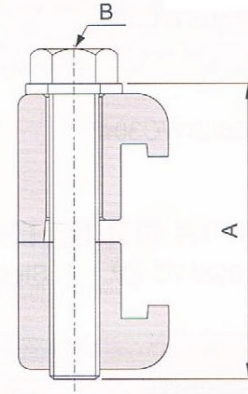
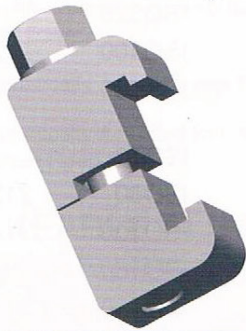
O'Ring's color is brown, black is available upon request

Single Wall Clamp



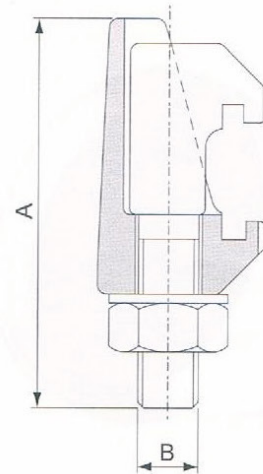
Model No.	Material	A	B	C	Fit Flange
ISO63-100SWCA	Aluminum	M8	35	23.5	ISO63
					ISO80
					ISO100
					ISO160
ISO160-250SWCA	Aluminum	M10	35	23.5	ISO200
					ISO250
					ISO320
ISO320-500SWCA	Aluminum	M12	50	30	ISO400
					ISO500

Double Wall Clamp



Model No.	Material	A	B	Min. Quantity	Fit Flange
ISO63-100DWCA	Aluminum	45	M8	4	ISO63
				4	ISO80
				4	ISO100
				4	ISO160
ISO160-250DWCA	Aluminum	45	M10	6	ISO200
				6	ISO250
				8	ISO320
ISO320-500DWCA	Aluminum	60	M12	8	ISO400
				8	ISO500
				12	

Double Claw Clamp



Model No.	Material	A	B	Min. Quantity	Fit Flange
ISO63-250DCC316	316 S.S.	61.5	M10	4	ISO63
				4	ISO80
				4	ISO100
				4	ISO160
				6	ISO200
				6	ISO250
ISO320-500DCC316	316 S.S.	76	M12	8	ISO320
				8	ISO400
				12	ISO500
ISO630DCC316	316 S.S.	86	M12	12	ISO630
ISO63-250DCC-ZP	Steel+Zn Plated	61.5	M10	4	ISO63
				4	ISO80
				4	ISO100
				4	ISO160
				6	ISO200
				6	ISO250
ISO320-500DCC-ZP	Steel+Zn Plated	76	M12	8	ISO320
				8	ISO400
				12	ISO500
ISO630DCC-ZP	Steel+Zn Plated	86	M12	12	ISO630